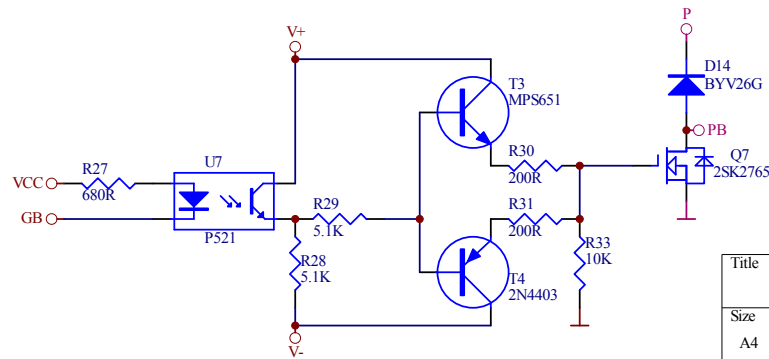
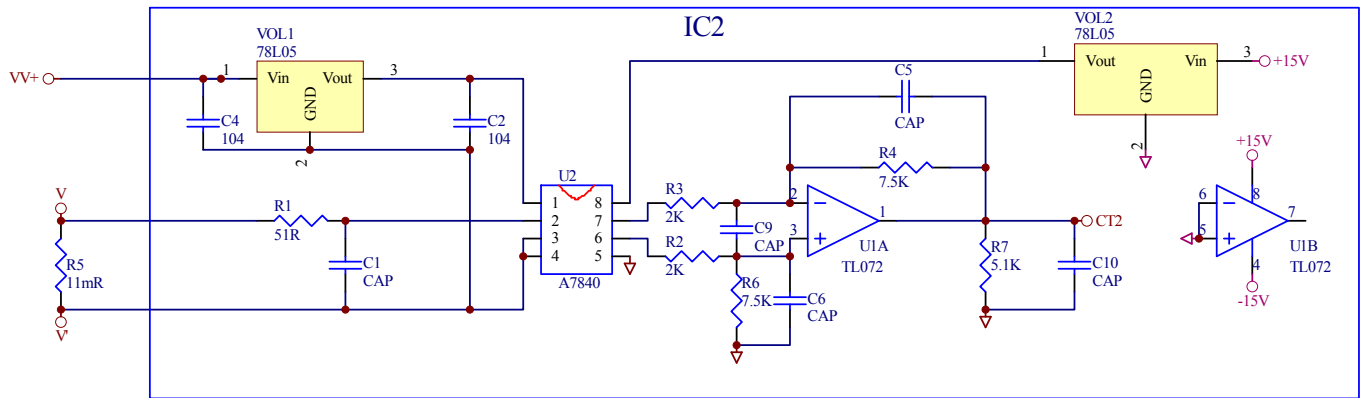
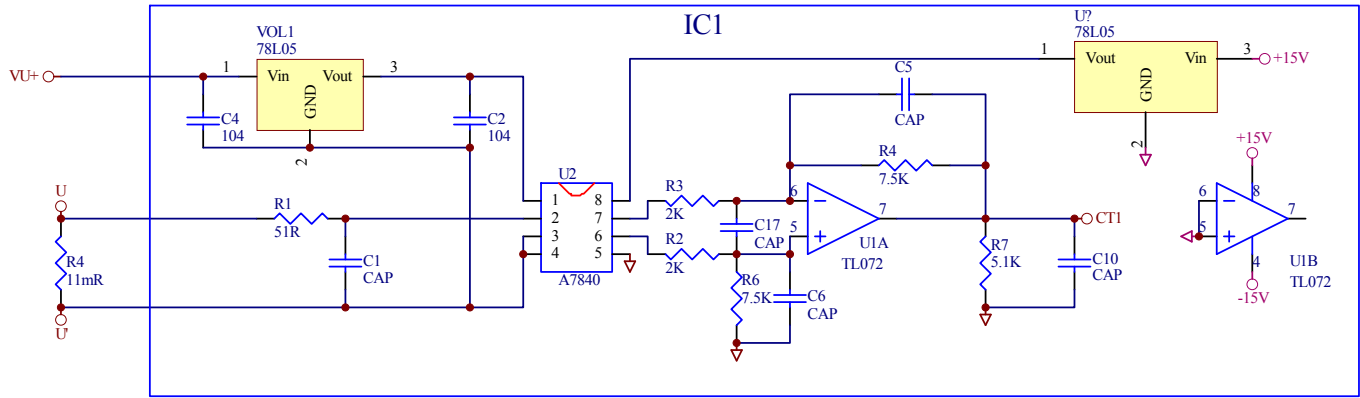


IGBT:P443C01



Title CVF-S1-2S0007B-DB2			
Size A4	Number <a href="http://liheming.jimdo.com">http://liheming.jimdo.com</a>	Revision V1.0	
Date: 7-Jan-2012	Sheet of 1/2	Drawn By: 李和明	
File: D:\变频器\tu20111110\国产变频器图纸\dd			